

DEUTZ T(T)CD 6.1 L6

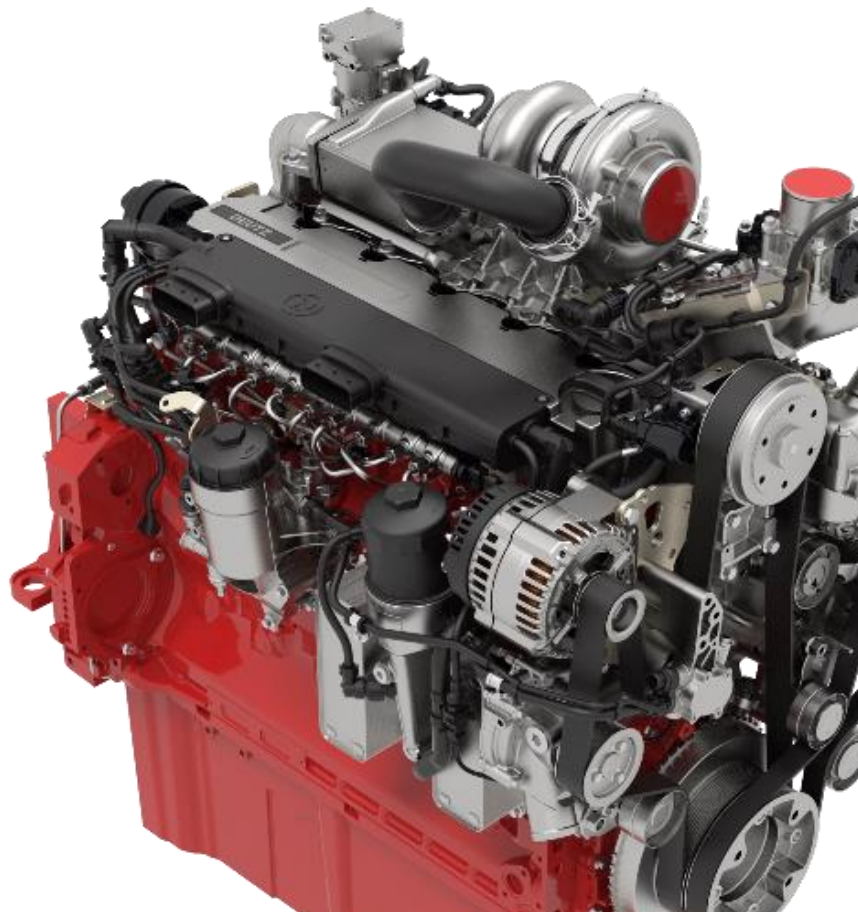
Powerful, efficient and compact.



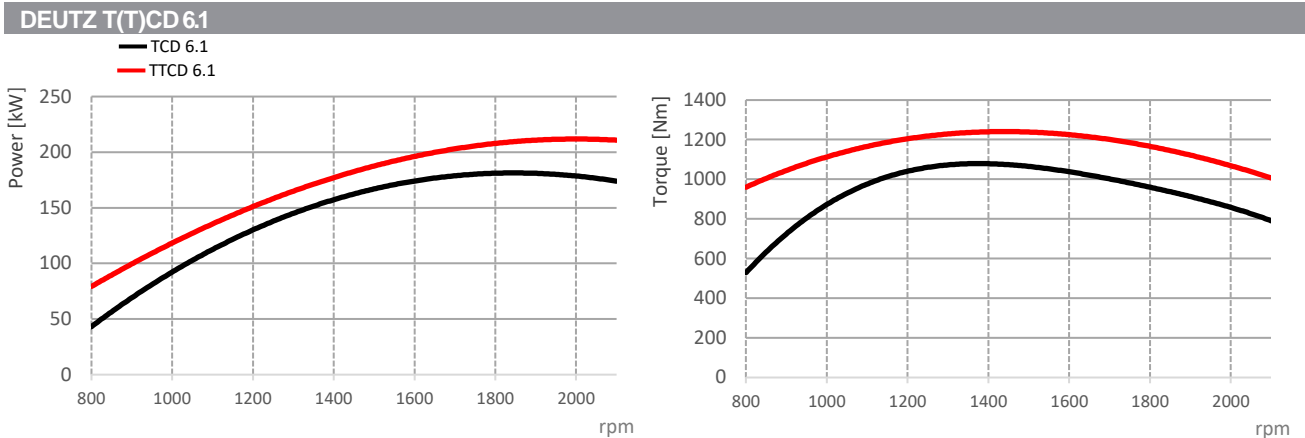
For Agricultural Equipment

The T(T)CD 6.1 – With up to 211 kW power output ideal for your application.

- **POWERFUL** / Up to 211 kW & 1226 Nm
- **LOW EMISSIONS** / EU Stage V, Tier 4f & HVO Certified
- **MODULAR** / Wide range of applications due to a variety of options
- **VERSATILE** / Industrial version



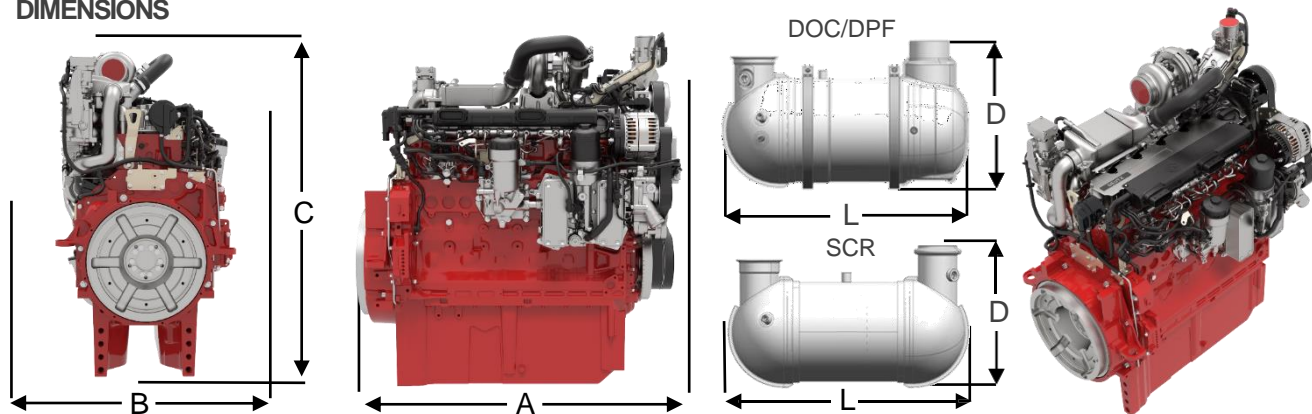
STAGE **V**
certified



TECHNICAL DATA

ENGINE TYPE		TCD 6.1	TTCD 6.1
No. of Cylinders		6	6
Displacement	l	6,057	6,057
Max. Nominal Speed	min ⁻¹	2100	2200
Aspiration		Turbolader with charge air cooler	Dual stage turbocharger with charge air cooler
Power Output acc. ISO 14396	kW	174	211
At Speed	min ⁻¹	2100	2100
Max. Torque	Nm	1072	1226
At Speed	min ⁻¹	1500	1450
Min. Idling Speed	min ⁻¹	800	800
Weight	kg	720	720

DIMENSIONS



ENGINE TYPE		DOC/DPF				SCR			DOC/DPF	SCR
		A	B	C	D	L	D	L		
TCD 6.1	mm	1019	641	1131	349	347	268	538	● ■	● ■
TTCD 6.1	mm	1077	643	1187	349	398	362	367	● ■	● ■

- Standard for US Tier 4
- Standard for EU Stufe V



DEUTZ AG
 Ottostraße 1
 51149 Cologne
 Germany
www.deutz.com
www.sdeutz.com