

# DEUTZ TCD 2.9

Powerful, efficient and compact.



For mobile machinery

The TCD 2.9 series – With 30 up to 77 kW power output ideal for your application.

- **POWERFUL** / Up to 77 kW & 420 Nm
- **LOW EMISSION** / EU Stage V, Tier 4f, CN 4 & HVO certified
- **MODULAR** / Wide range of applications due to a variety of options
- **VERSATILE** / Agricultural & EDG - version\* (Stage IIIA, Tier 3)
- **POWERPACK** / Modular, compact & ready for installation

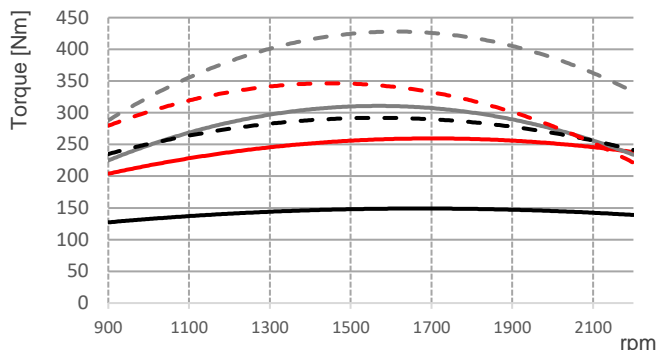
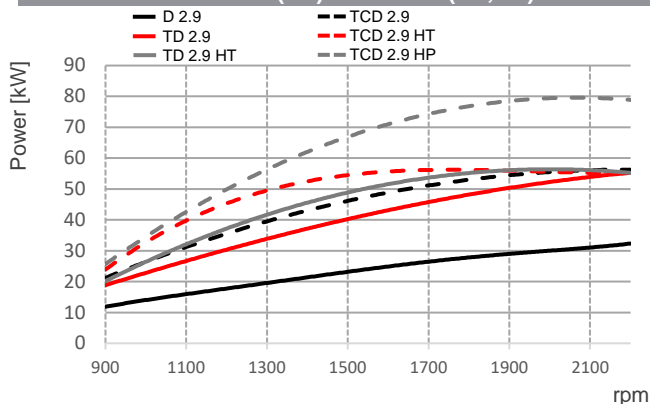


STAGE **V**  
certified

CHINA  
ready **4**

\*Emission Downgrade without EAT

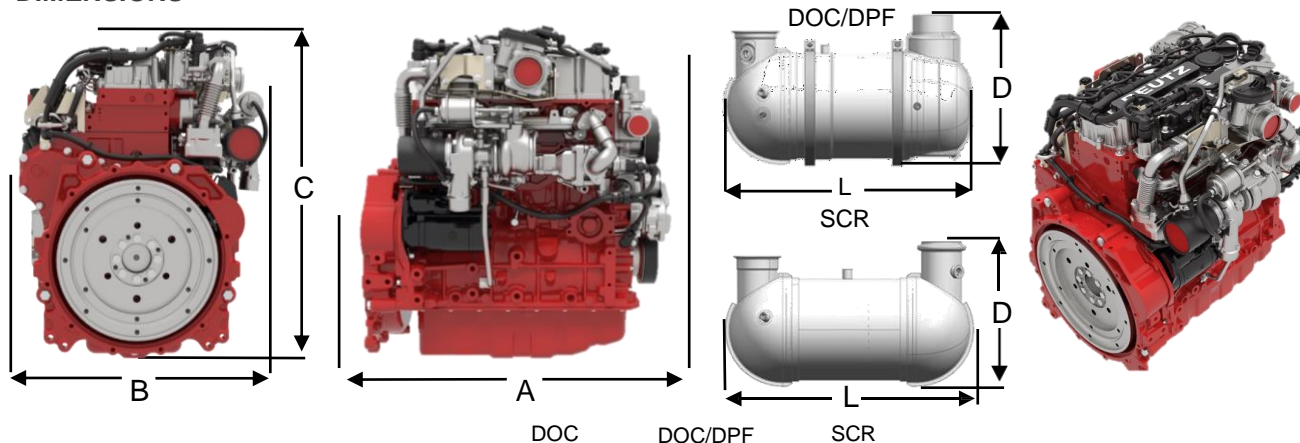
DEUTZ D 2.9 / TD 2.9 (HT) / TCD 2.9 (HT,HP)



TECHNICAL DATA

ENGINE TYPE		D 2.9	TD 2.9 (HT)	TCD 2.9	TCD 2.9 HT	TCD 2.9 HP
No. of Cylinders		4 in-line	4 in-line	4 in-line	4 in-line	4 in-line
Displacement	l	2.9	2.9	2.9	2.9	2.9
Max. Nominal speed	min <sup>-1</sup>	2600	2600	2600	2600	2600
Aspiration		Natural	Turbocharger	Turbocharger w. charge air cooler	Turbocharger w. charge air cooler	Turbocharger w. charge air cooler
Power Output acc. ISO 14396	kW	30 - 36.4	44.5 - 55.4	44.5 - 55.4	55.4	70 - 77
At Speed	min <sup>-1</sup>	2300 - 2600	2200 - 2600	2300 - 2600	2200 - 2400	2200
Max. Torque	Nm	150	260 (320)	300	375	420
At Speed	min <sup>-1</sup>	1600	1600	1600	1400	1600
Min. Idling Speed	min <sup>-1</sup>	900	900	900	900	900
Weight (DIN 70020 Part 7A)	kg	267	288	288	288	288

DIMENSIONS



ENGINE TYPE		A	B	C	D	L	D	L	D	L	DOC	DOC/DPF	SCR
D 2.9	mm	678	576	775	199	380	199	470			■	●	-
TD 2.9 (HP)	mm	678	579	734	199	380	199	470			■	●	-
TCD 2.9 (HP/HT)	mm	678	582	734	199	380	199	470	240	598		●	●

- Standard for US Tier 4 / EU Stage IIIB
- Standard for EU Stage V / US Tier 4

