

# DEUTZ TCD 3.6 L4

Powerful, efficient and compact.



For Agricultural Equipment

The TCD 3.6 – With up to 105 kW power output ideal for your application.

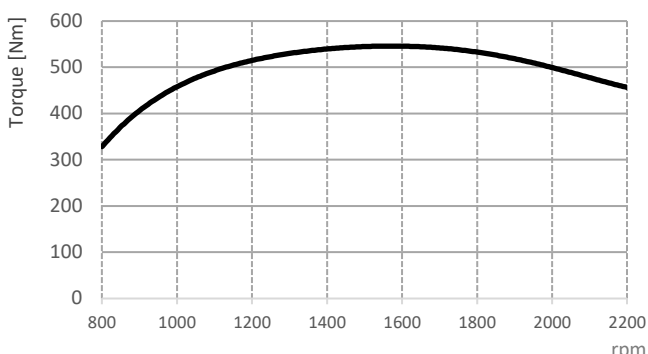
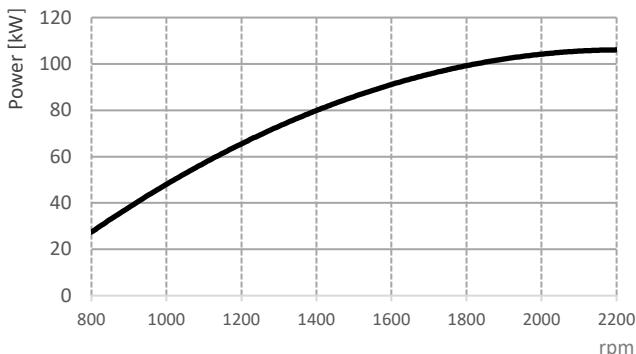
- **POWERFUL** / Up to 105 kW & 550 Nm
- **LOW EMISSIONS** / EU Stage V / IV, Tier 4f & HVO Certified
- **MODULAR** / Wide range of applications due to a variety of option
- **VERSATILE** / Industrial version



STAGE **V**  
certified

DEUTZ TCD 3.6

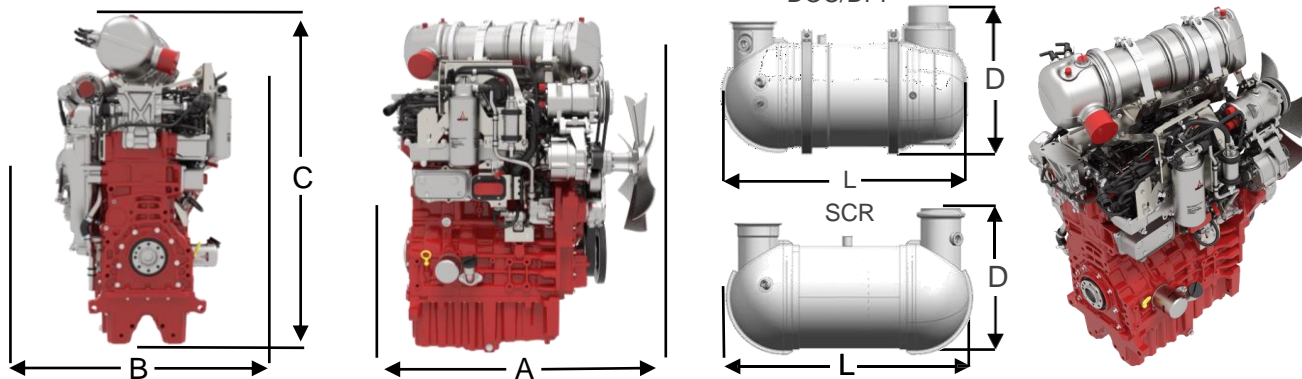
— TCD 3.6



TECHNICAL DATA

ENGINE TYPE	TCD 3.6	
No. of Cylinders	4	
Displacement	l	3.6
Max. Nominal Speed	min <sup>-1</sup>	2200
Aspiration	Turbocharger with charge air cooler	
Power Output acc. ISO 14396	kW	105
At Speed	min <sup>-1</sup>	2200
Max. Torque	Nm	550
At Speed	min <sup>-1</sup>	1600
Min. Idling Speed	min <sup>-1</sup>	800
Weight (DIN 70020 Part 7A)	kg	Tbd

DIMENSIONS



ENGINE TYPE	A	B	C	D	DOC/DPF		SCR		DOC/DPF	SCR
	mm	mm	mm	mm	L	D	L	D	Standard	Standard
TCD 3.6	724	629	972	199	650	240	674	240	Standard for US Tier 4	Standard for EU Stage V

- Standard for US Tier 4
- Standard for EU Stage V



**DEUTZ AG**  
 Ottostraße 1  
 51149 Cologne  
 Germany  
[www.deutz.com](http://www.deutz.com)  
[www.sdeutz.com](http://www.sdeutz.com)