

# DEUTZ TCD 4.1

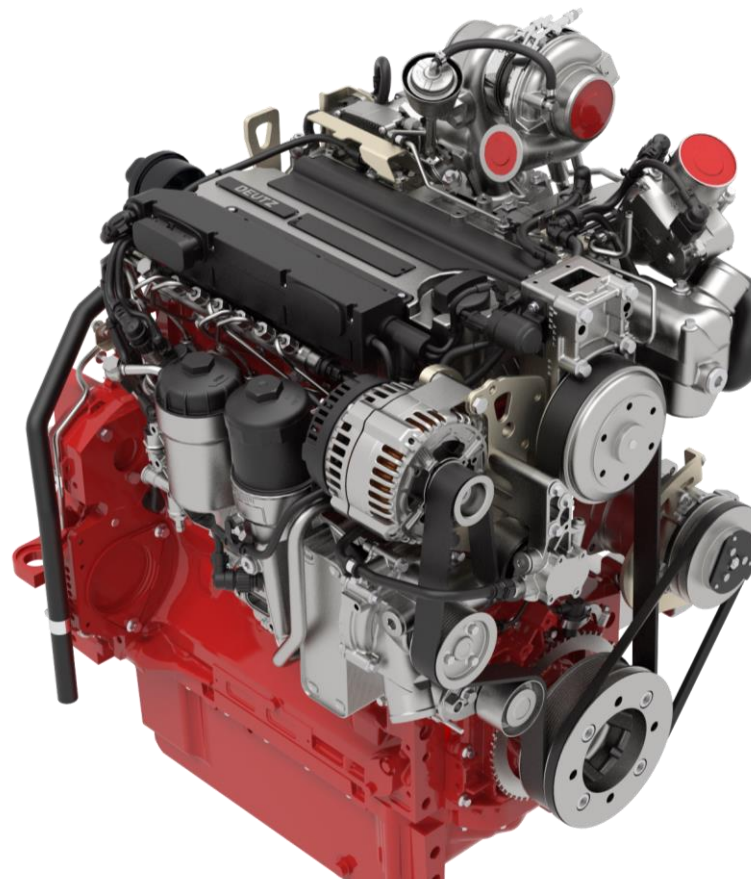
Powerful, efficient and compact.



For Agricultural Equipment

The TCD 4.1 – With up to 126 kW power output ideal for your application.

- **POWERFUL** / Up to 126 kW & 699 Nm
- **LOW EMISSIONS** / EU Stage V, Tier 4f & HVO Certified
- **MODULAR** / Wide range of applications due to a variety of options
- **VERSATILE** / Industrial & EDG – Version\* (Stage IIIA, Tier 3)

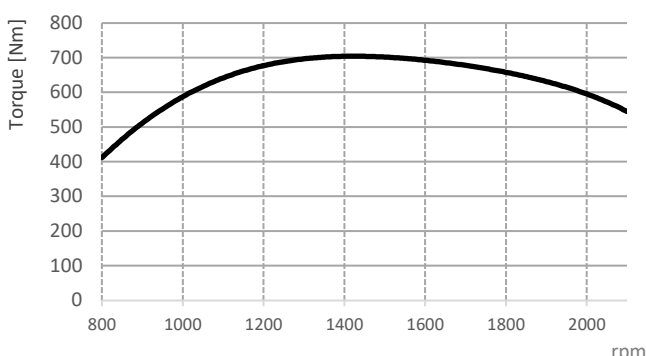
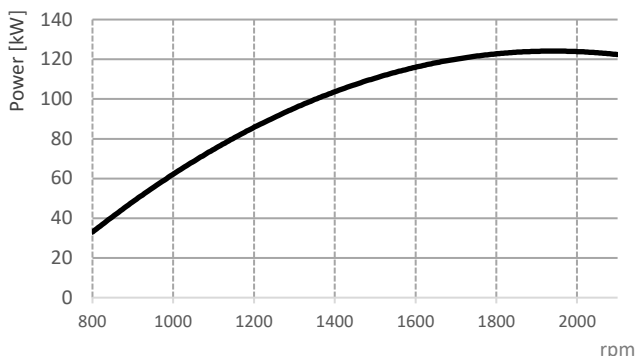


STAGE **V**  
certified

\* Industrial Engine Emission Downgrade without EAT

DEUTZ TCD 4.1

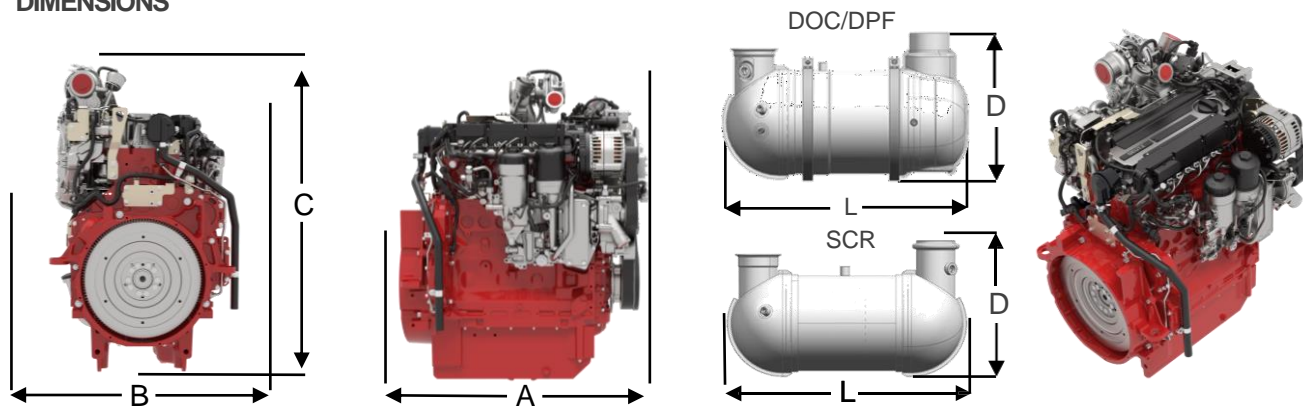
— TCD 4.1



TECHNICAL DATA

ENGINE TYPE	TCD 4.1	
No. of Cylinders	4	
Displacement	l	4.038
Max. Nominal Speed	min <sup>-1</sup>	2100
Aspiration	Turbocharger with charge air cooler	
Power Output acc. ISO 14396	kW	126
At Speed	min <sup>-1</sup>	1900
Max. Torque	Nm	699
At Speed	min <sup>-1</sup>	1500
Min. Idling Speed	min <sup>-1</sup>	800
Weight (DIN 70020 Part 7A)	kg	460

DIMENSIONS



ENGINE TYPE	A	B	C	D	DOC/DPF		SCR		DOC/DPF	SCR
	mm	mm	mm	mm	L	D	L	D	Standard	Standard
TCD 4.1	791	641	1079	278	470	268	385	268	Standard for US Tier 4	Standard for EU Stage V

- Standard for US Tier 4
- Standard for EU Stage V

